

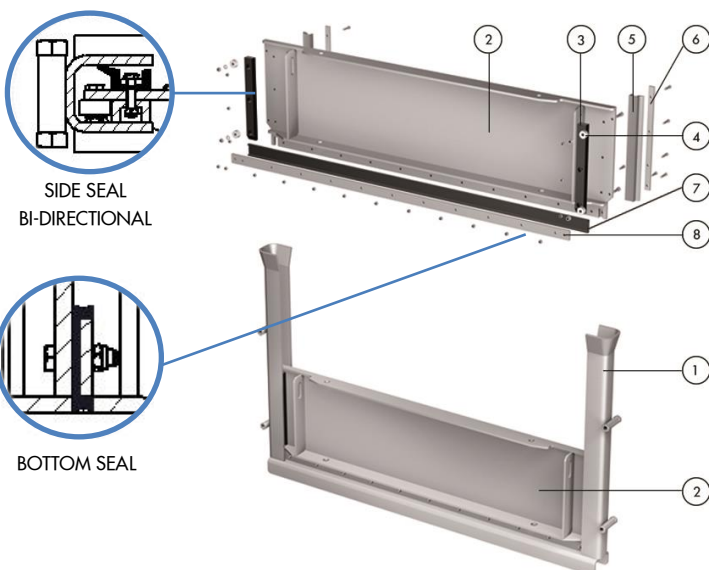
The SL stop log is a stainless steel three-side sealing penstock composed of several logs that fit on top of each other in the frame, designed for open channel installations and suitable for different type of applications in the water and wastewater treatment plants, irrigation, dams and reservoirs, etc. By adding or removing logs, the SL stop log allows for channel flow control and are also ideal for maintenance and repair works, as well as for flood control and diversion

Product description:

- Bi-directional
- Size range of 200x200 up to 3500x3500
- Seating and unseating head pressure of the total height of the logs
- Stainless steel fabricated construction. Different stainless steel grades available
- No actuator, hand operated with lifting poles or with auxiliary lifting devices
- Designed according to DIN 19569. In general accordance with BS 7775 also available

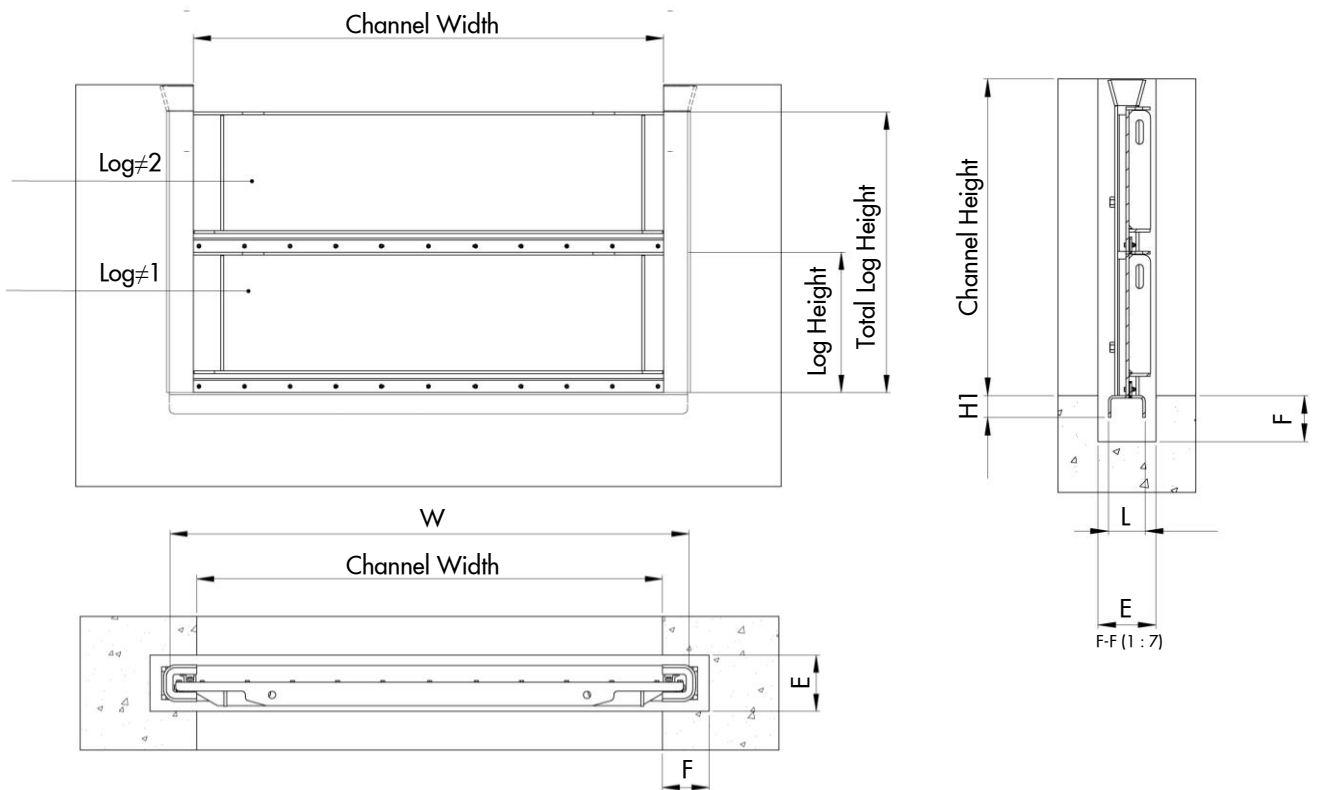
Features:

- Open- frame configurations
- Interchangeable log design.
Vertical and horizontal seals to prevent leak between logs
- HMWPE gate guides for low friction during operation, minimizing thrust and maximizing seal life
- Self-adjusting lip EPDM seal design, without wedges. The log is designed to seal at the bottom due to its own weight
- Mounting options: usually embedded in concrete, also face-mounted in existing channel and wall mounted at the end of the channel
- Flush bottom design
- Leakage rate as per DIN 19569-4 Class 1



STANDARD MATERIAL OF CONSTRUCTION

ITEM	DESCRIPTION	MATERIAL (standard)
1	Frame	AISI 304 / AISI 304L / AISI 316 / AISI 316L
2	Log	AISI 304 / AISI 304L / AISI 316 / AISI 316L
3	Guides	Polyethylene (HMWPE)
4	Gate Bearing	Polyethylene (HMWPE)
5	Seal	EPDM
6	Seal Retainer	AISI 304 / AISI 304L / AISI 316 / AISI 316L
7	Bottom Seal	EPDM
8	Bottom Seal Retainer	AISI 304 / AISI 304L / AISI 316 / AISI 316L



SIZE (mm) Channel Width	SIZE (mm) Channel Height	W	L	H1	E x F
150	150	321	80	30	120 x 100
200	200	371	80	30	120 x 100
300	300	471	80	30	120 x 100
400	400	571	80	30	120 x 100
500	500	671	80	30	120 x 100
600	600	776	90	45	120 x 100
700	700	876	90	45	120 x 100
800	800	976	90	45	120 x 100
900	900	1076	90	45	120 x 100
1000	1000	1176	90	45	120 x 100
1100	1100	1276	110	60	250 x 125
1200	1200	1376	110	60	250 x 125
1300	1300	1476	110	60	250 x 125
1400	1400	1576	110	60	250 x 125
1500	1500	1576	110	60	250 x 125
1600	1600	1814	215	90	250 x 125
1700	1700	1914	215	90	250 x 125
1800	1800	2014	215	90	250 x 125
1900	1900	2114	215	90	250 x 125
2000	2000	2214	215	90	250 x 125

Above sizes and dimensions for bidirectional stop logs embedded in concrete

NOTE:

These dimensions are only for reference. Do not use for installation or submittal purposes.

For dimensions or mounting positions other than those indicated above, please contact ORBINOX